

Smart 50
Sections & Joints

asset
space becomes place

PARTITION

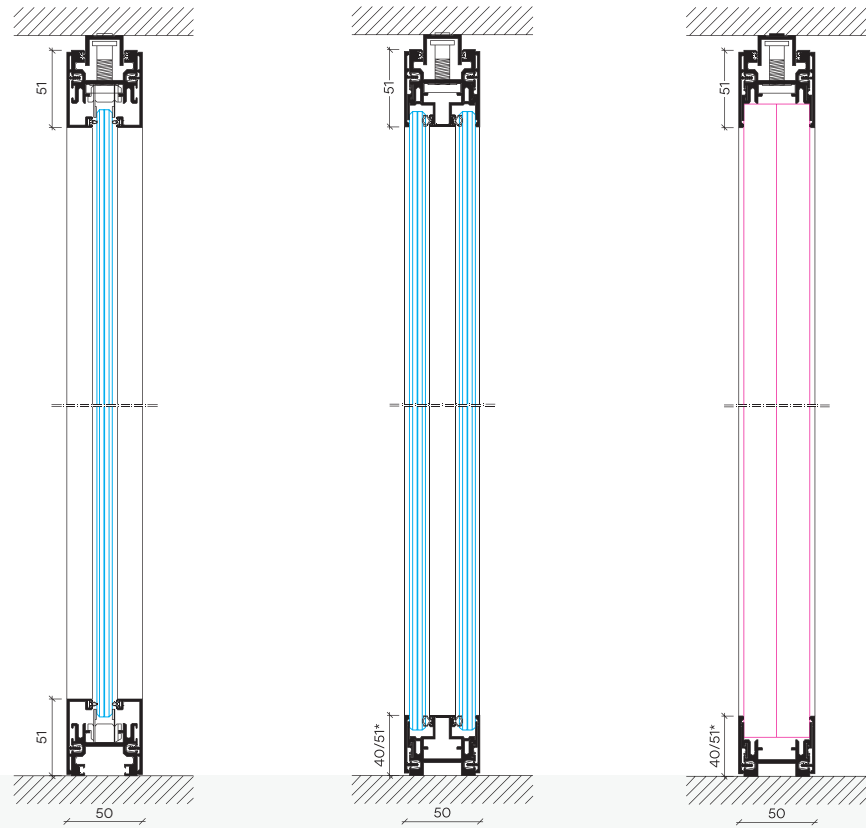
VERTICAL SECTIONS

SMART 50
A DYNAMIC AND LIGHTWEIGHT PARTITION WALL

DOOR

VERTICAL SECTIONS

SMART 50
A DYNAMIC AND LIGHTWEIGHT PARTITION WALL

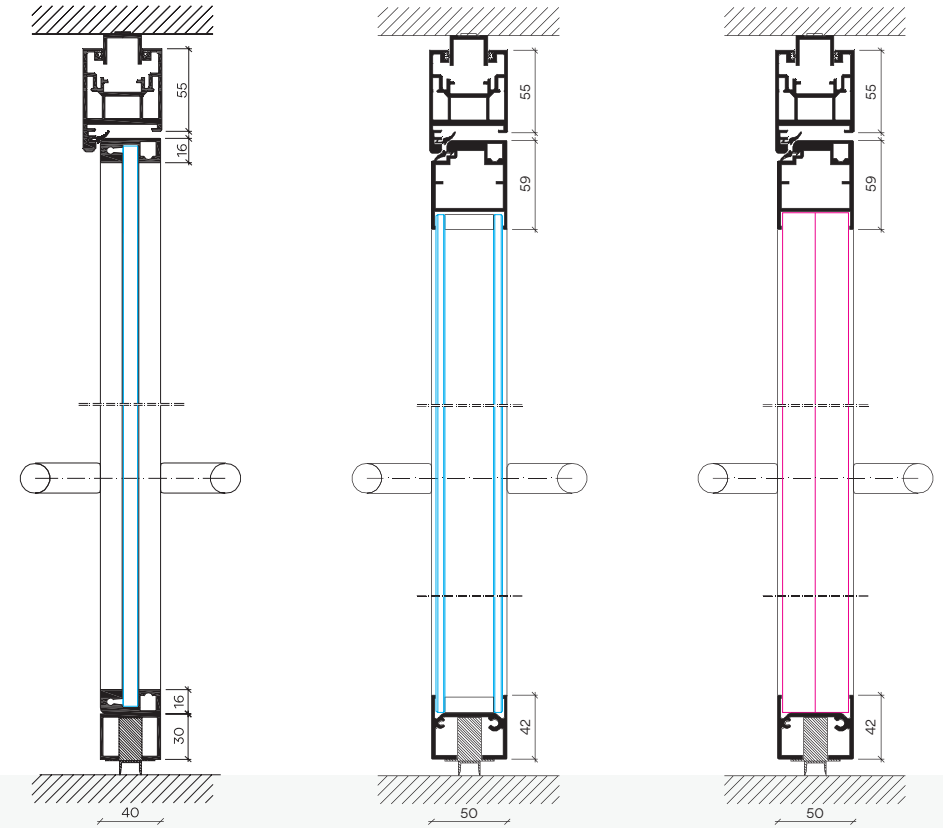


M50
SINGLE GLAZED

D50
DOUBLE GLAZED

D50
SOLID

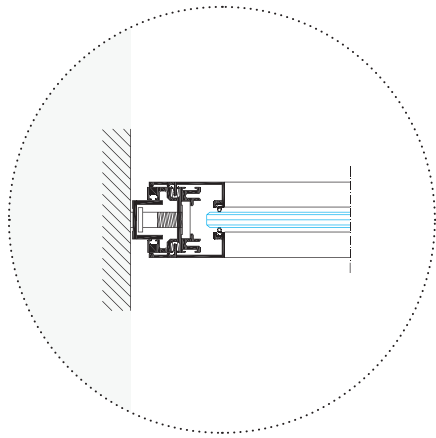
* WHEN COMBINED WITH M50



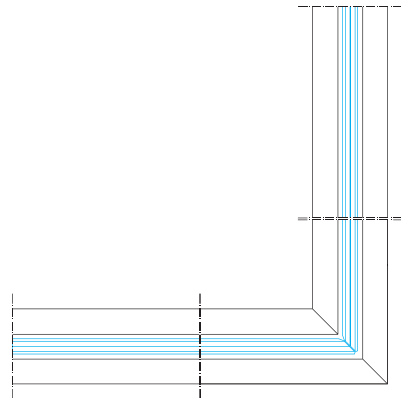
M50
SINGLE GLAZED DOOR

D50
DOUBLE GLAZED DOOR

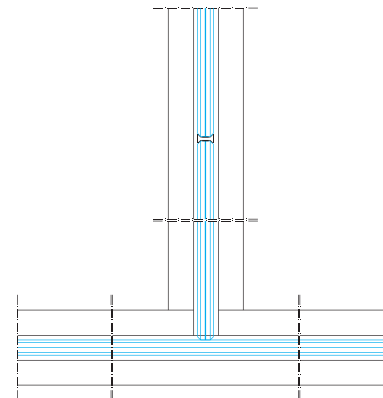
M50 & D50
SOLID DOOR



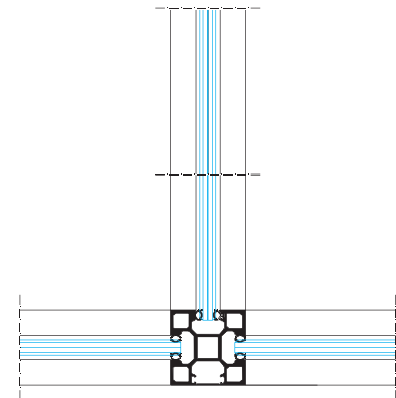
WALL CONNECTION



2-WAY SINGLE GLAZED JOINT



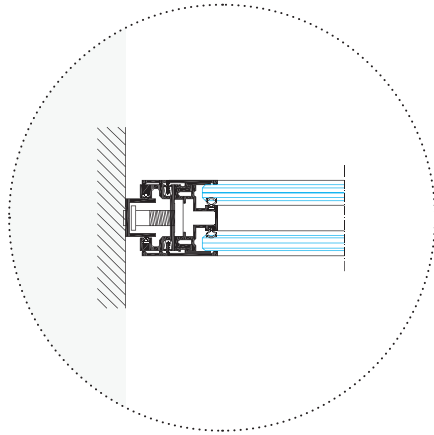
3-WAY SINGLE GLAZED JOINT



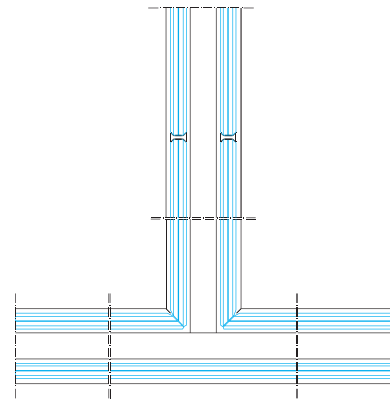
3-WAY SINGLE GLAZED JOINT WITH TUBE

PARTITION
WALL CONNECTION & JOINTS

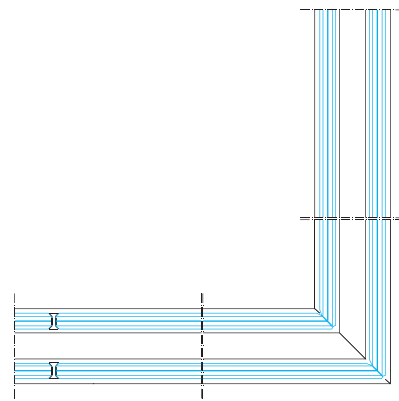
D50



WALL CONNECTION



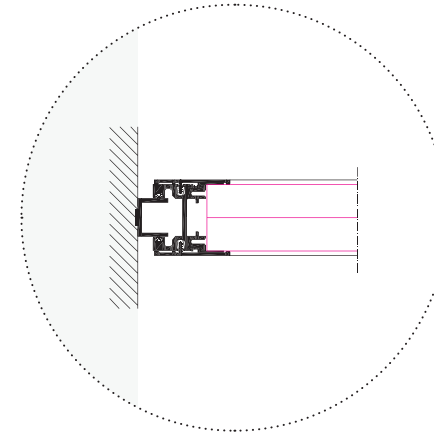
3-WAY DOUBLE GLAZED JOINT



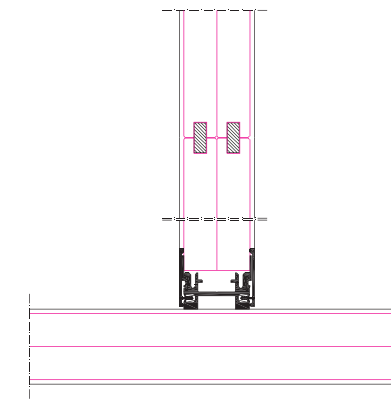
2-WAY DOUBLE GLAZED JOINT

D50 solid

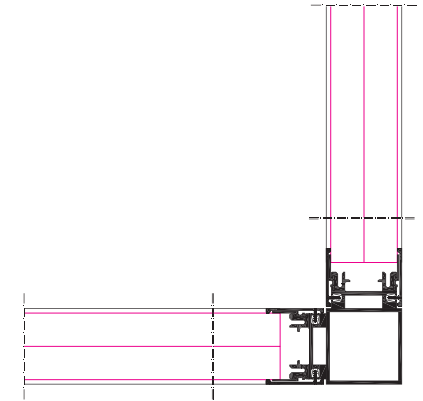
PARTITION
WALL CONNECTION & JOINTS



WALL CONNECTION



3-WAY SOLID JOINT



2-WAY SOLID JOINT WITH TUBE

